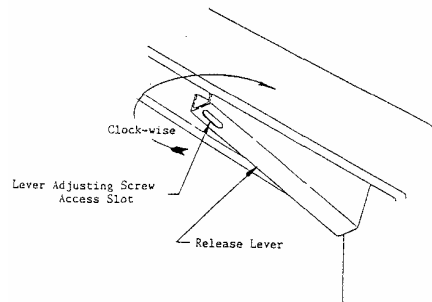


# INSTRUCTIONS FOR ADJUSTING SLIT LAMP ARM LOCK

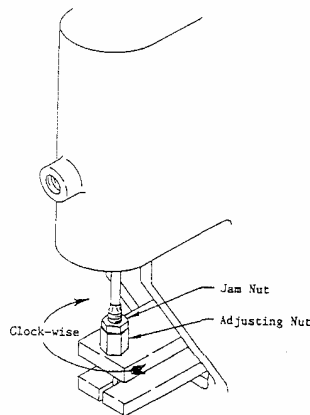
**TOOL NEEDED:** 1/8" Allen wrench  
Two 7/16" open end wrenches  
Medium Size Phillips screwdriver

**CAUTION:** During any adjustment, be careful not to kink, stretch, twist or rotate control cable.

1. Using 1/8" Allen wrench, rotate lever adjustment screw clockwise 2 or 3 full turns. This step is necessary to prevent the lever adjusting screw from interfering with actual lock shoe adjustment.



2. Remove two screws (some covers require four) and lock cover from front of roller frame.
3. Use 7/16" wrench to hold adjustment nut stationary, and with the other wrench, loosen the jam nut by turning counter-clockwise.



## **INSTRUCTIONS FOR ADJUSTING SLIT LAMP ARM LOCK**

4. If lock is “slipping” in one direction or both turn adjusting nut counter-clockwise which will relax any cable tension between lock shoes.
5. If system is difficult to unlock in one direction, or both, turn adjusting nut clockwise, which in effect, makes the cable shorter, allowing the lock lever to exert more “unlocking” tension on the lock shoes.
6. Check for proper operation of lock and with very light force, re-tighten the jam nut.
7. To remove unwanted “free-travel” in lock lever, insert 1/8” Allen wrench into lever adjusting screw and turn counter-clockwise. A slight amount of “free-travel” is desirable, or system may not want to lock correctly.
8. Re-install lock cover and screws.

**Scrapping can be caused by the shaft being loose at the bottom of the floor unit.**