

INSTALLATION AND OPERATING INSTRUCTIONS

OWNERS MANUAL

Reliance®

SERIES 5300 STOOLS



HS

Reliance®

MEDICAL PRODUCTS, INC.

A HAAG-STREIT COMPANY

3535 Kings Mills Road
Mason, Ohio 45040-2303
1-800-735-0357 (Customer Service)
1-800-735-0358 (Technical Service)
(513) 299-2227

INSTALLATION AND OPERATING INSTRUCTIONS

RELIANCE® SERIES 5300 STOOLS

1. INTRODUCTION

1.1. This manual contains information applicable only to the Reliance® Models 5340, 5346, 5349, 5480, and 5356 stools. Should you have a different model, please disregard any information that does not apply.

1.2. Whenever you see the symbols shown below, heed their instructions! Always follow safe operating and maintenance practices.

“WARNING” — The warning symbol identifies special instructions or procedures which, if not correctly followed, could result in personal injury.

“CAUTION” — This caution symbol identifies special instructions or procedures which, if not strictly observed, could result in damage to or destruction of equipment.

“NOTE” — Note indicates points of particular or additional information.

1.3. Should your product not perform properly, or if you have any questions concerning the use and care of any Reliance® product, contact the Reliance® Distributor, where you purchased this product or contact the Technical Service Department, Reliance® Medical Products, Inc., 3535 Kings Mills Road, Mason, Ohio 45040-2303, or call (800) 735-0358.

NOTE: Always have the model number and serial number available before contacting Reliance® or your authorized Reliance® Distributor.

2. INSTALLATION

2.1. Unpacking

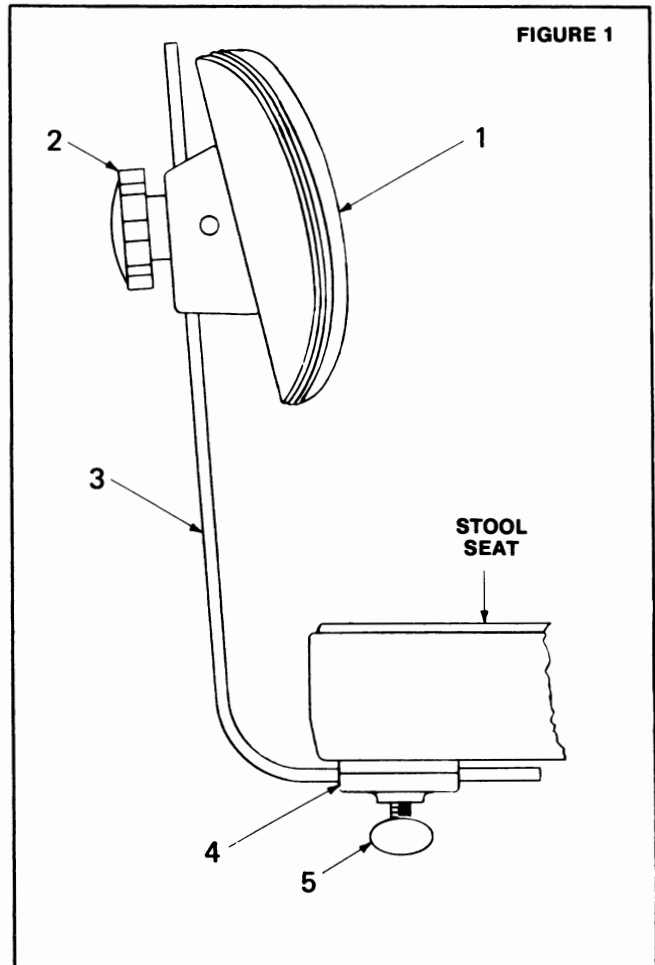
2.1.1. Open the shipping carton carefully and record any shipping damage to the carton or to the contents.

2.1.2. Remove all contents from the shipping carton and note that “knocked-down” shipments have their back rests removed and packed in a smaller, separate carton. Open this smaller carton carefully to avoid cutting the upholstery.

The support bar, Item 3, is installed, but inverted for shipment.

2.2. Assembly

2.2.1. To assemble the adjustable tilting backrest, such as Model 5346, refer to Figure 1.

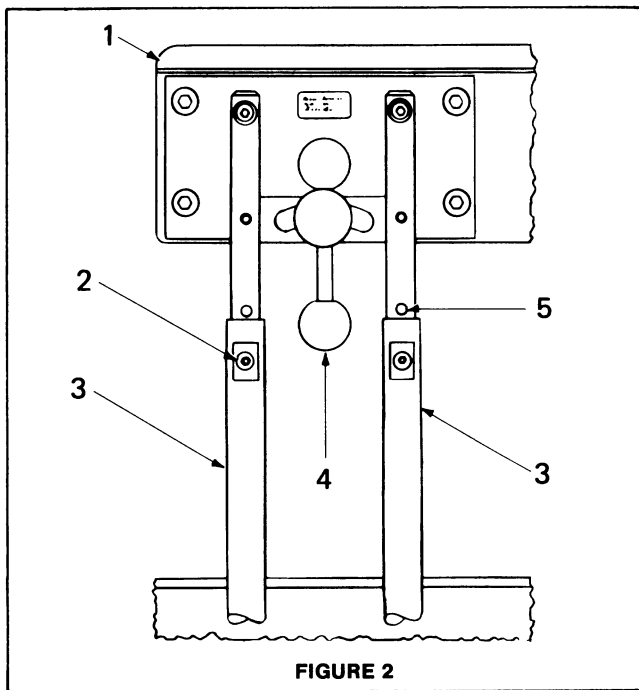


2.2.1.1. Place the support bar Item 3 into the back plate Item 4, and secure it with the thumb screw Item 5.

2.2.1.2. In order to position the backrest properly, refer to Figure 5 or 6. The threaded stud is to be placed thru the slot in the support bar with the chrome acorn nut (Item 7) visible from the top.

2.2.1.3. Screw the handwheel, Item 2, Figure 1, onto the threaded stud in order to secure the position of the backrest.

2.2.2. To assemble the curved body support model, such as the 5356, Refer to Figure 2.



2.2.2.1. Untape the support tubes, Item 3, and swing them up to a vertical position approximately parallel.

2.2.2.2. Remove the two position screws from the backrest rods, and insert the rods into the support tubes simultaneously.

2.2.2.3. Push the rods down into the support tubes until the arm is at a desired height.

2.2.2.4. Adjust the rods slightly until a pair of threaded holes in the support rods appears thru the holes in the support tubes. Replace the two position screws as in Item 2, and tighten securely.

2.2.3. Refer to the Operating Instructions for adjustments.

3. OPERATING INSTRUCTIONS

3.1. Seat Height Adjustment

3.1.1. A metered gas spring device provides for controlled raising of the stool seat without load and controlled lowering under load.

3.1.2. To raise the seat, support the body weight from the floor and raise the release ring located under the seat. Allow the seat to rise to the desired position and release the ring.

WARNING: Do not stand on the foot ring when making seat height adjustments.

3.1.3. To lower the seat, raise the ring and allow the seat to descend under the body weight. Release the ring to stop descent at the desired position.

3.2. Back Rest Adjustment

3.2.1. The back rest typical of Model 5346 (or shown in Figure 1) can be adjusted vertically and horizontally.

3.2.2. To adjust the back rest vertically, loosen the black handwheel, Item 2, Figure 1, move the back rest to the desired position and tighten the handwheel.

3.2.3. To adjust the back rest horizontally, loosen the thumb screw, Item 5, Figure 1, move the support bar, Item 3, as desired and tighten the thumb screw securely.

3.3. Body Support Adjustment

3.3.1. The curved body support of the 5356 model can be adjusted horizontally to serve as an arm, abdomen, or back rest. The body support can also be swiveled 360° independently of the seat.

3.3.2. Refer to Figure 2 for adjustments. For horizontal adjustment, loosen the lock handle, Item 4, position the arm as desired and tighten the lock handle.

3.3.3. The body support can be adjusted vertically to any one of five positions indicated by threaded holes in the body support rods, such as shown by Item 5.

3.3.4. To make an adjustment, remove the two support rod screws, Item 2, position the body support at the desired height, insert the screws in the nearest pair of threaded holes and tighten securely.

3.4. Foot Rest Ring Height Adjustment

3.4.1. The foot rest ring is optional with the 5300 Series Stools and is held in place by plastic clips. The ring may be raised two or four inches above the base by installation of spacers (Part #5894) as shown in Figure 3.

3.4.2. To install spacers, first remove the foot rest ring from the base and disassemble the clips by removing the screws.

3.4.3. Refer to Figure 3. Screw the stud end of each spacer into the foot rest ring. If two spacers are to be used, screw the second spacer into the first as illustrated.

3.4.4. Replace the clips and screws previously removed, to the bottom of each spacer.

3.4.5. Replace the foot rest ring by snapping the clips in place as illustrated on the stool base legs.

3.5. Lubrication

3.5.1. Caster wheels and swivels do not require lubrication.

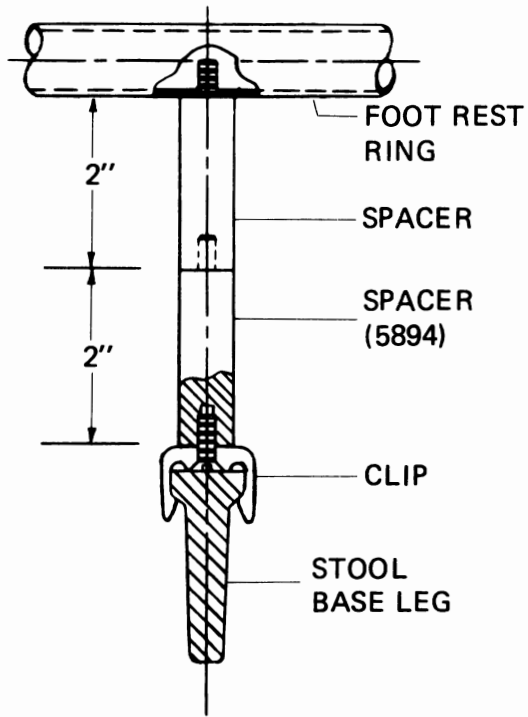


FIGURE 3

3.5.2. Lubricate the curved body support mechanism of the Model 5356, only if it operates stiffly or squeaks. Introduce a few drops of light oil into the slots of the back support casting holding the support tubes under the stool seat. (This casting is shown as Item 10 of Figure 7.) Work the mechanism back and forth several times to distribute the oil and wipe off any excess.

4. REPLACEMENT OF PARTS

4.1. Upholstered Parts

4.1.1. For upholstered items on all models, refer to Figures 4 through 7. Order by part number and state color of upholstery (or conductive). For Model 5356, state L.H. or R.H. curved body support.

FIGURE 4: 5340 STOOL

ITEM	PART NO.	DESCRIPTION
1	0979081	Base, Stool
2		See Below
3	1027299	Pneumatic Lift
4	0570780	Footrest Ring
5	1373182	Release Ring
6	0134785	Seat Support
7	1373279	Release Lever
8	0977599	Dowel Pin
9	1664173	Uph. Seat*
	1664175	Uph. Seat (conductive)
	1375173	Uph. Seat-5480 Standard Foam*
	1375273	Uph. Seat-5480 Sensa Foam*
	1375175	Uph. Seat-5480 Standard Foam (conductive)
	1375275	Uph. Seat-5480 Sensa Foam (conductive)
10	0705399	Hex Nut # 8
11	0990499	Set Screw # 8 x 3/4
12	1376499	Machine Screw 1/4 x 1-1/8
13	0977799	Rubber Washer
14	0557899	Footrest Clip
15	0978499	Ball, Steel
16	0729899	Washer # 6 Burr
17	0999699	Retaining Ring
18	0716299	Flat Head Screw

* PLEASE SPECIFY COLOR WHEN ORDERING

ITEM 2		
	0478699	Ball Caster
	0613399	Caster - 2-1/2 Carpet
	0637199	Caster - 2-1/2 Conductive
	1288299	Caster - 2" Twin Wheel Hooded
	1426399	Glide - Standard
	1426299	Glide - Non-Skid

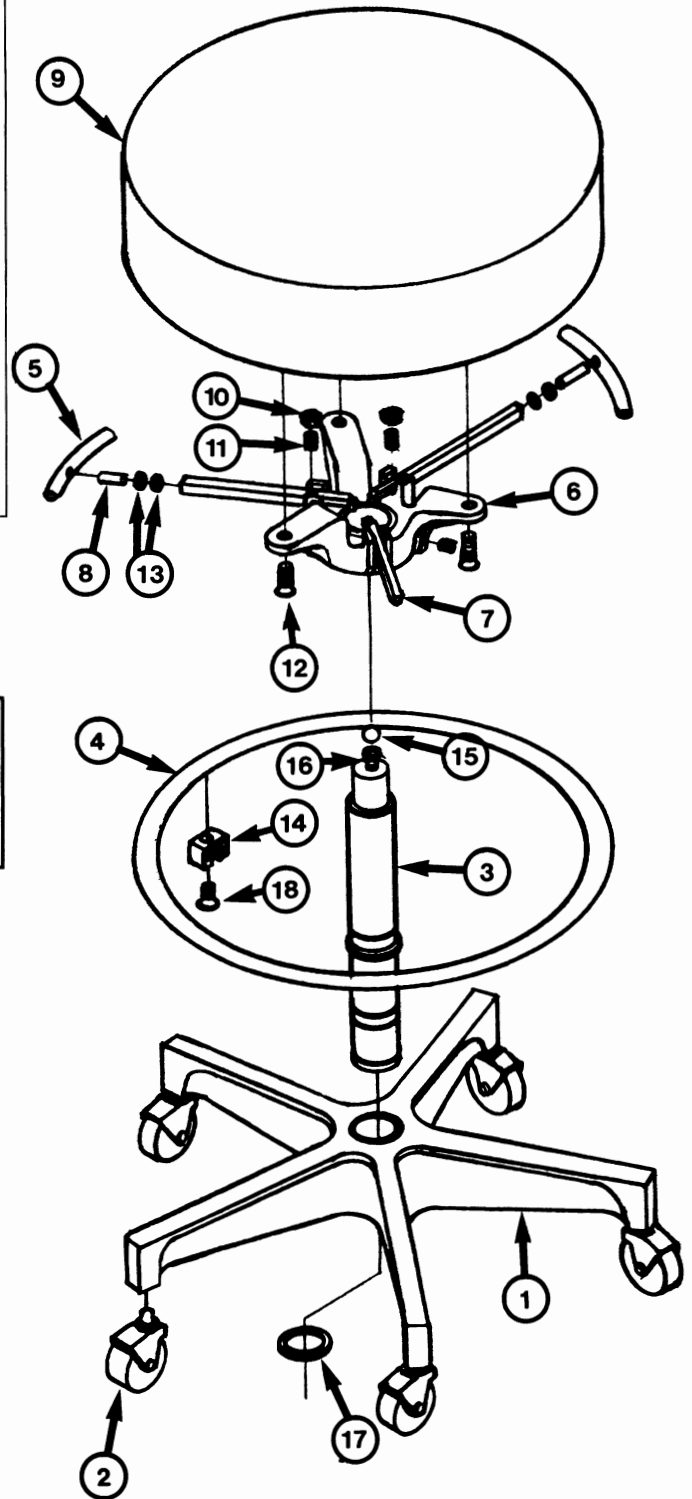


FIGURE 4: 5340 STOOL

FIGURE 5: 5346 STOOL

ITEM	PART NO.	DESCRIPTION
1	0992073	Uph. Back (standard)*
	0992075	Uph. Back (conductive)
2	1664173	Uph. Seat*
	1664175	Uph. Seat (conductive)
3	0313380	Back Support
4	1288779	Back Support Mount
5	0505899	Knob
6	0097043	Backrest Tilt Block
7	0703899	Acorn Nut 1/4-20
8	0452343	Posture Back Bracket (standard)
	0452380	Posture Back Bracket (conductive)
9	0778979	Pin
10	0728299	Lock Washer
11	1025899	Washer-Rubber
12	1025799	Washer-Nylon
13	0781680	Thumb Screw
14	1376499	Machine Screw 1/4 x 1-1/8
15	0783899	Spring

* PLEASE SPECIFY COLOR WHEN ORDERING

**NOTE: TO CONVERT A 5340 STOOL
TO 5346, USE KIT NO. 1443873***

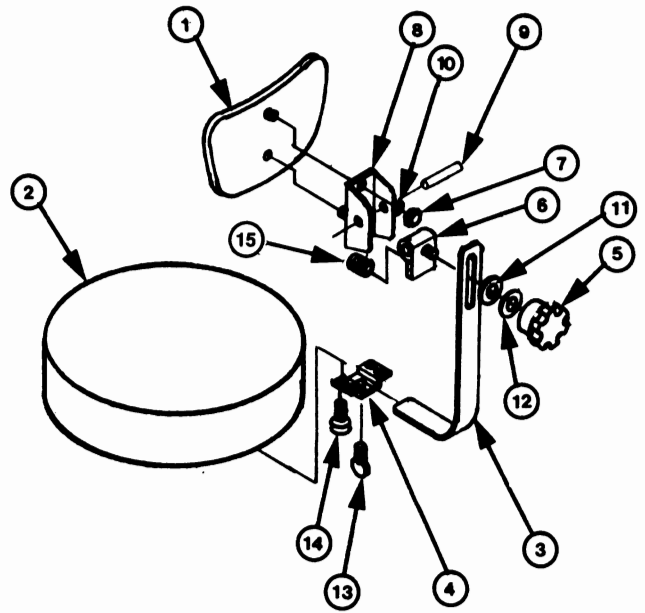


FIGURE 5: 5346 STOOL

FIGURE 6: 5348 STOOL

ITEM	PART NO.	DESCRIPTION
1	0992073	Uph. Back (standard)*
	0992075	Uph. Back (conductive)
2	1374973	Uph. Seat*
	1374975	Uph. Seat (conductive)
3	0313380	Back Support
4	1288779	Back Support Mount
5	0505899	Knob
6	0097043	Backrest Tilt Block
7	0703899	Acorn Nut 1/2-20
8	0452343	Posture Back Bracket (standard)
	0452380	Posture Back Bracket (conductive)
9	0778979	Pin
10	0728299	Lock Washer
11	1025899	Washer-Rubber
12	1025799	Washer-Nylon
13	0781680	Thumb Screw
14	1376499	Machine Screw 1/4 x 1-1/8
15	0783899	Spring

* PLEASE SPECIFY COLOR WHEN ORDERING

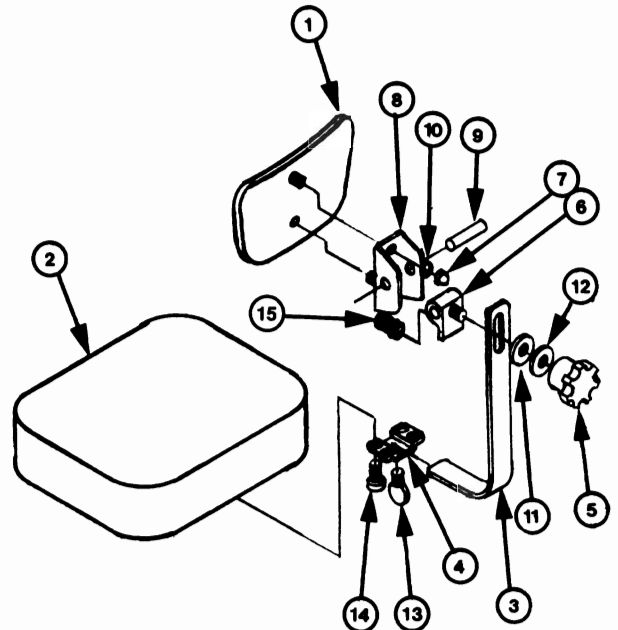


FIGURE 6: 5348 STOOL

FIGURE 7: 5356 STOOL

ITEM	PART NO.	DESCRIPTION
1	1403973	L. H. Arm (standard)*
	1403975	L. H. Arm (conductive)
	1403873	R. H. Arm (standard)*
	1403875	R. H. Arm (conductive)
2	1374773	Uph. Seat (standard)*
	1374775	Uph. Seat (conductive)
3	0502280	Armrest Plate
4	0521492	Lock Handle Assembly
5	0535880	Lock Link
6	0538582	Spacing Collar
7	0497899	Bushing
8	1375780	Armrest Support - R. H.
8A	1375880	Armrest Support - L. H.
9	0502092	Support Tube Assembly
10	0134285	Arm Support Casting
11	0552499	Thrust Bearing
12	0552599	Thrust Washer
13	0732199	Retaining Ring
14	0283699	Cap screw 1/4 x 1-1/4
15	0527899	Hex Nut 1/4-20
16	0712180	Cap Screw 1/4 x 1/2
17	0808780	Cap Screw 5/16 x 1-1/4
18	0503899	Stop Button
19	0725299	Set Screw 3/8 x 1-1/4
20	0789299	Cap Screw 1/4 x 1-1/2
21	0527799	Lock Nut 5/16 - 24

* PLEASE SPECIFY COLOR WHEN ORDERING

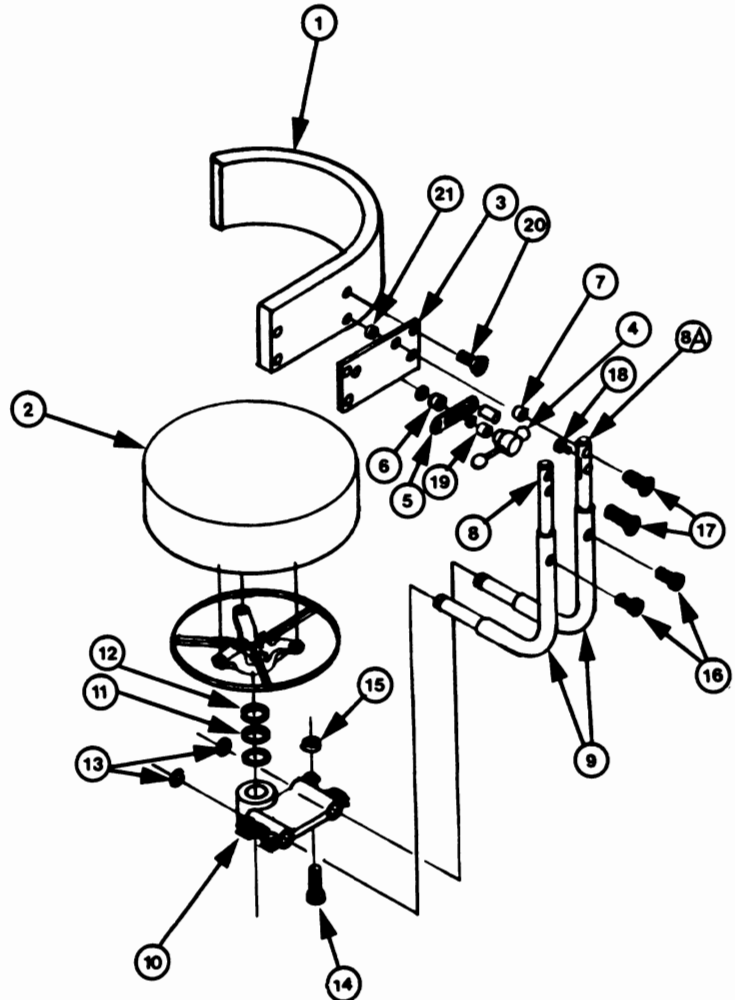


FIGURE 7: 5356 STOOL

LIMITED WARRANTY

The Reliance® Product must be used only for the purposes and in the manner described in the literature distributed with the product. The products are warranted against defective materials and workmanship for the period set forth in the warranty provided with each product. Products or parts thereof will be repaired or replaced as required at Reliance® Medical Products, Inc. Such repair or replacement shall be the sole remedy under this warranty. This warranty extends only to the original purchaser from an authorized Reliance® dealer and is subject to the following conditions:

1. The warranty card must be completed and returned to Reliance® Medical Products, Inc. within two (2) weeks from the date of installation.
2. Installation and servicing of the products must be performed by trained Reliance® equipment dealer service personnel in accordance with the appropriate instructions manual for the products.
3. The products have not sustained breakage or other type damage due to accident or misuse.
4. This warranty will not apply to Reliance® products which have had the serial number removed, altered or effaced.

EXCEPT FOR THE EXPRESS WARRANTY SET FORTH ABOVE, RELIANCE® DOES NOT GRANT ANY WARRANTIES, EITHER EXPRESS OR IMPLIED, INCLUDING IMPLIED WARRANTIES OF MERCHANTABILITY OR FITNESS FOR A PARTICULAR USE.

Reliance® Medical Products neither assumes nor authorizes any person to assume for it, any other liability in connection with the sale and use of its products.

REMEDIES ARE LIMITED EXCLUSIVELY TO REPAIR OR REPLACEMENT OF PARTS. RELIANCE® MEDICAL PRODUCTS, INC. EXPRESSLY DISCLAIMS LIABILITY FOR INCIDENTAL OR CONSEQUENTIAL DAMAGE RESULTING FROM THE USE OF THE EQUIPMENT.

Claims covered by this warranty will be honored when presented within one (1) month from discovery of a defect.



Reliance®

MEDICAL PRODUCTS, INC.

A HAAG-STREIT COMPANY