

# INSTALLATION AND OPERATING INSTRUCTIONS

OWNERS MANUAL

## **Reliance**<sup>®</sup> SERIES 500 STOOLS



**HS**

**Reliance**<sup>®</sup>

MEDICAL PRODUCTS, INC.

A HAAG-STREIT COMPANY

3535 Kings Mills Road  
Mason, Ohio 45040-2303  
1-800-735-0357 (Customer Service)  
1-800-735-0358 (Technical Service)  
(513) 208-2027

# INSTALLATION AND OPERATING INSTRUCTIONS

## RELIANCE® SERIES 500 STOOLS

### 1. INTRODUCTION

1.1. This manual contains information applicable only to the Reliance® Models 500 Series stools.

1.2. Whenever you see the symbols shown below, heed their instructions! Always follow safe operating and maintenance practices.

**“WARNING”** — The warning symbol identifies special instructions or procedures which, if not correctly followed, could result in personal injury.

**“CAUTION”** — This caution symbol identifies special instructions or procedures which, if not strictly observed, could result in damage to or destruction of equipment.

**“NOTE”** — Note indicates points of particular or additional information.

1.3. Should your product not perform properly, or if you have any questions concerning the use and care of any Reliance® product, contact the Reliance® Distributor, where you purchased this product or contact the Technical Service Department, Reliance® Medical Products, Inc., 3535 Kings Mills Road, Mason, Ohio 45040-2303, or call (800) 735-0358.

**NOTE:** Always have the model number and serial number available before contacting Reliance® or your authorized Reliance® Distributor.

### 2. INSTALLATION

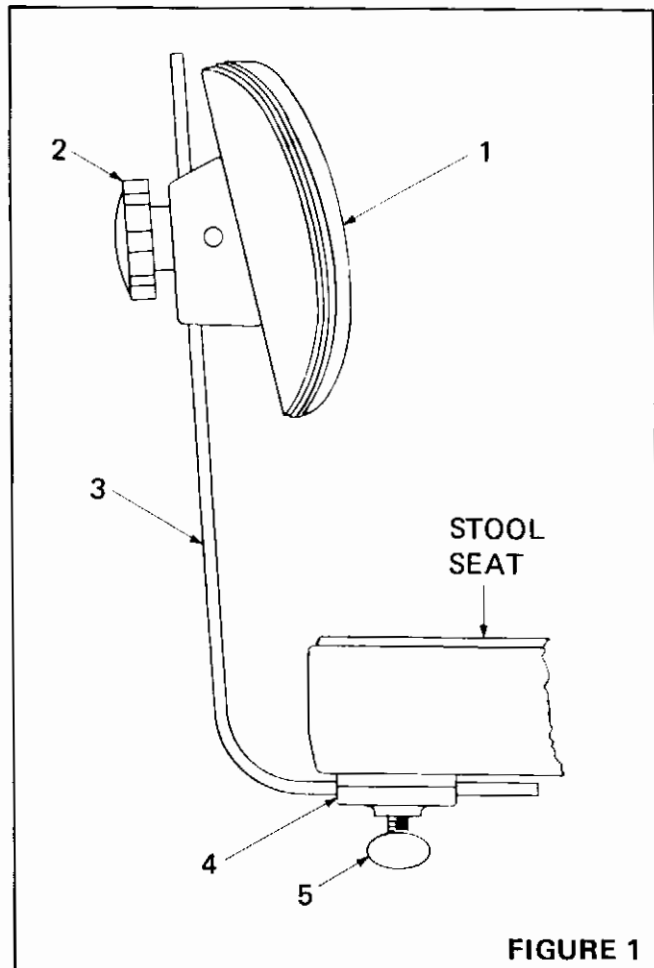
#### 2.1. Unpacking

2.1.1. Open the shipping carton carefully and record any shipping damage to the carton or to the contents.

2.1.2. Remove all contents from the shipping carton and note that “knocked-down” shipments have their back supports removed and packed in the carton with the base assembly.

#### 2.2. Assembly

2.2.1. To assemble the adjustable tilting backrest, such as Model 546, refer to Figure 1.



2.2.1.1. Place the support bar, Item 3, into the back plate, Item 4, and secure it with the thumb screw, Item 5.

2.2.1.2. In order to position the backrest properly, refer to Figure 5. The threaded stud is to be placed thru the slot in the support bar with the chrome acorn nut (Item 10) visible from the top.

2.2.1.3. Screw the handwheel, Item 2, Figure 1, onto the threaded stud in order to secure the position of the backrest.

2.2.2. To assemble the curved body support on model 556, refer to Figure 2.

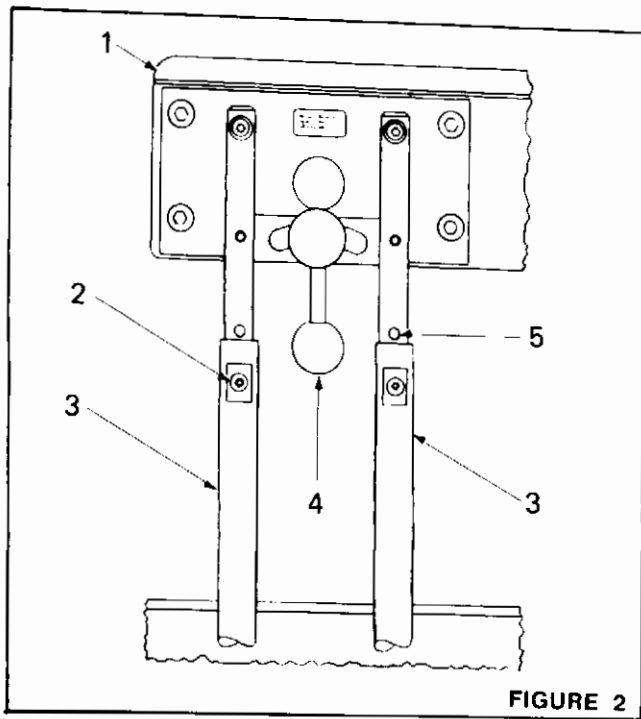


FIGURE 2

2.2.2.1. Untape the support tubes, Item 3, and swing them up to a vertical position approximately parallel.

2.2.2.2. Remove the two position screws, item 2, from the backrest rods, and insert the rods into the support tubes simultaneously.

2.2.2.3. Push the rods down into the support tubes until the arm is at a desired height.

2.2.2.4. Adjust the rods slightly until a pair of threaded holes in the support rods appears thru the holes in the support tubes. Replace the two position screws and tighten securely.

2.2.3. Refer to the Operating Instructions for adjustments.

### 3. OPERATING INSTRUCTIONS

#### 3.1. Seat Height Adjustment

3.1.1. A pedal operated hydraulic lift is used to raise and lower the seat in the Reliance® Series 500 Stool. To raise the seat, push downward on the pedal lever. Note that a stop can be felt at the bottom of the pumping stroke. By exerting enough force to move the pedal beyond this stop, a lowering valve is opened, permitting the stool seat to descend.

3.1.2. Lifting the pedal locks rotational movement of the seat with respect to the base, should such a condition be desired.

#### 3.2. Body Support Adjustment (556 Series Only)

3.2.1. The curved body support of the 556 Model stool is adjustable horizontally to serve as an arm, abdomen, or back rest and can be swivelled in-

dependently of the seat. For horizontal adjustment, loosen the locking handle and position as desired.

3.2.2. The body support can be adjusted vertically to any one of five positions indicated by threaded holes in the body support rods. To make the adjustment, remove the two position screws, position the body support at the desired height and insert the screws in the nearest pair of threaded holes. Tighten the screws securely.

#### 3.3. Back Rest Adjustment (546 & 548 Stools)

3.3.1. The back rest of the 546 & 548 Series Stools is adjustable vertically and horizontally.

3.3.2. To adjust the rest vertically, loosen the black hand wheel behind the back rest, move it to a comfortable position, then tighten the hand wheel.

3.3.3. For horizontal adjustment, loosen the thumb screw clamp holding the back support bar under the stool seat and move the support bar in or out as desired. Tighten the thumb screw securely after making the adjustment.

#### 3.4. Lubrication

3.4.1. Caster wheels and swivels do not require lubrication.

3.4.2. Lubricate the curved body support mechanism of the Model 556 only if it operates stiffly or squeaks. Introduce a few drops of light oil into the slots of the back support casting holding the support tubes under the stool seat. (This casting is shown as Item 5 of Figure 7.) Work the mechanism back and forth several times to distribute the oil and wipe off any excess.

#### 3.5. Foot Rest Ring Spacers

3.5.1. Foot rest ring spacers are recommended for 'M' and 'H' Models in order to raise the ring with the minimum seat height.

3.5.2. One spacer for each clip is recommended for 'M' models, and two spacers per clip is recommended for 'H' models. (Refer to Figure 3.)

3.5.3. To install spacers, first remove the foot rest ring from the base and disassemble the clips by removing the screws.

3.5.4. Screw the stud end of each spacer into the foot rest ring. If two spacers are to be used, screw the second spacer into the first as illustrated.

3.5.5. Replace the clips and screws previously removed to the bottom of each spacer.

3.5.6. Replace the foot rest ring by snapping the clips in place as illustrated on the stool base legs.

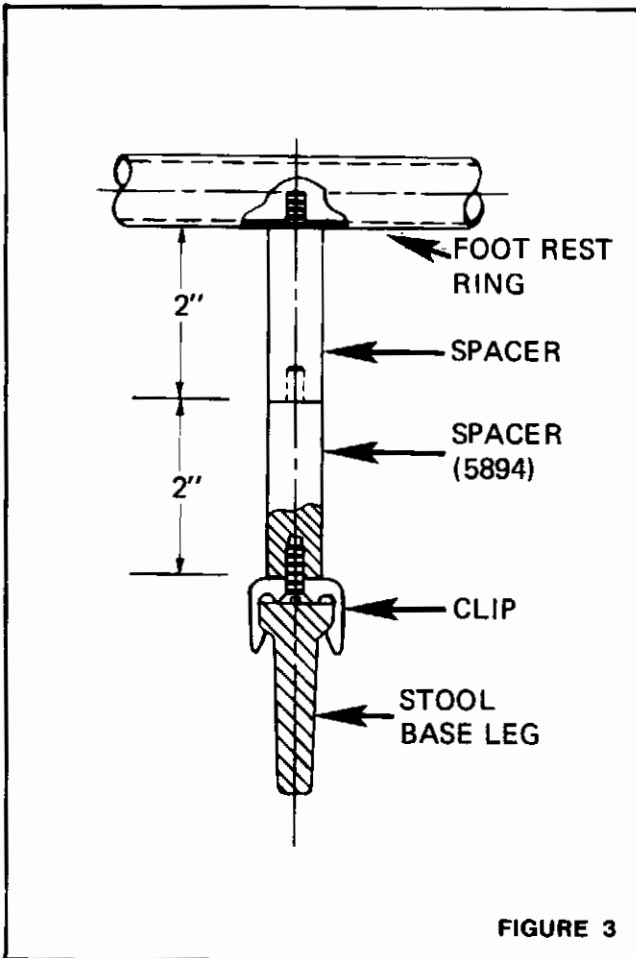
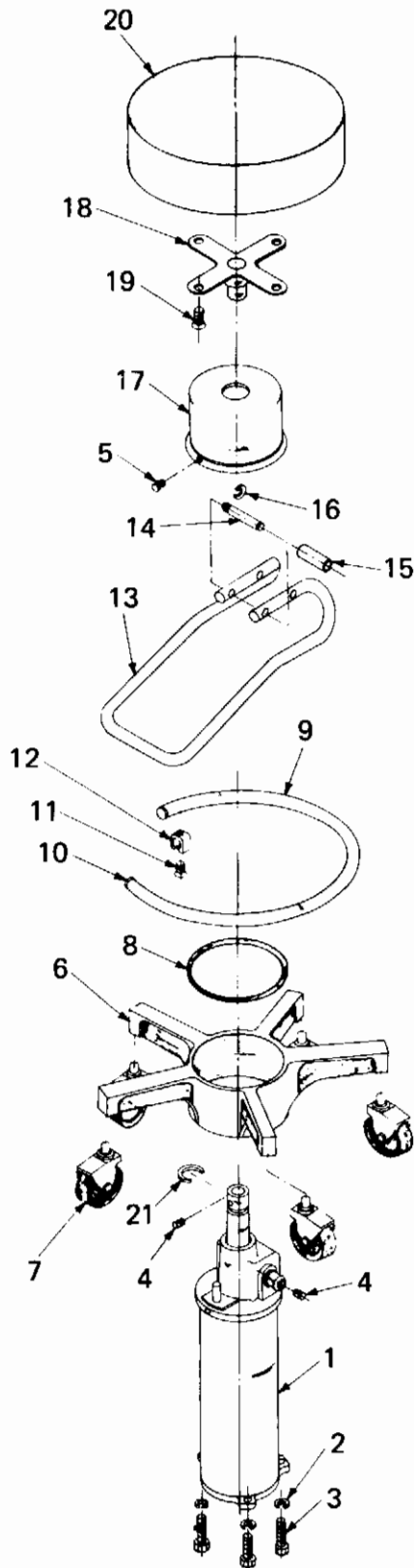


FIGURE 3

#### 4. Replacement of Parts

4.1. When ordering replacement parts, please specify the model number of the stool and the proper part number from the following figures.

4.2. When ordering upholstered items, please specify color (or conductive).



RELIANCE® MODEL 540  
HYDRAULIC  
STOOL, AND  
BASE PARTS

FIGURE 4

ITEM	PART NO.	DESCRIPTION
1		See Table 1 — Lifts
2	0728399	Lockwasher-Split-5/16
3	0707299	5/16 x 1-1/4 Hx. Hd. Cap Screw
4	0722899	1/4-20 x 3/8 Set Screw
5	0712799	8-32 Mach. Screw
6	0644592	Base Sub-Assembly
7		Castors - See Table 2
8	0592499	"O" Ring
9	0643680	Footrest
10	0636299	Plug Button
11	0716299	10-24 x 3/8 F.H. Mach. Screw
12	0557899	Ring Clip
13	0471580	Pedal
14	0532299	Roller Pin
15	0546199	Roller
16	0732499	Retaining Ring
17	0544780	Cap
18	0645392	Seat Support Assembly
19	0717799	10-24 x 1 Fl. Hd. Mach. Screw
20	1381273	UPH. Seat-Standard Foam *
	1381373	UPH. Seat-Sensa Foam *
21	0733299	Retaining Ring

\* WHEN ORDERING, SPECIFY UPHOLSTERY COLOR  
OR CONDUCTIVE.

TABLE 1. HYDRAULIC LIFTS

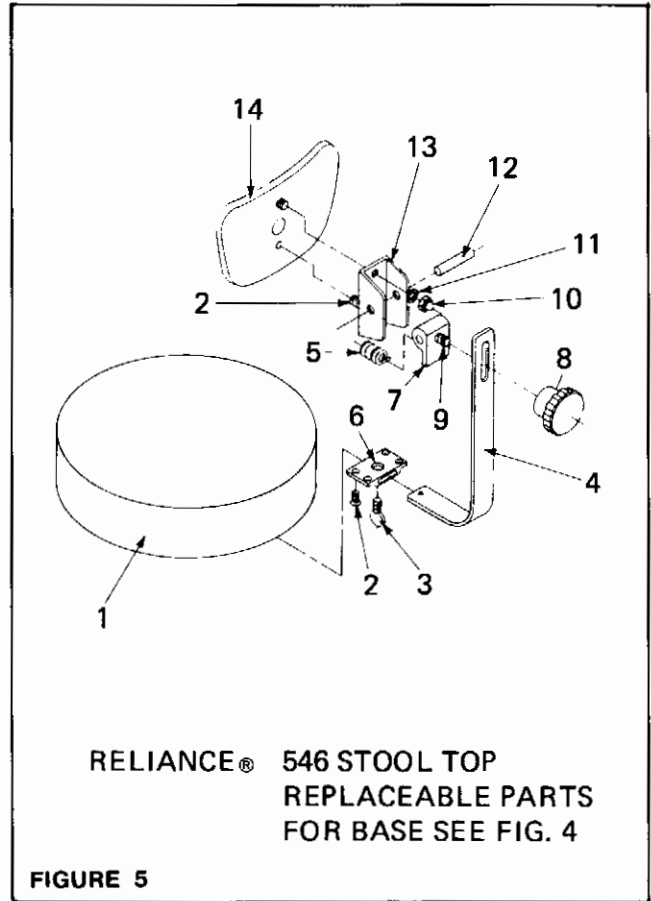
0644292	Low Lift Assembly
0644392	Med. Lift Assembly
1011892	High Lift Assembly

TABLE 2. CASTERS OR GLIDES — ITEM 7

0613399	Standard Caster — 2-1/2"
0637199	Conductive Caster — 2-1/2"
1382992	Glide Assembly, Standard
1427292	Glide Assembly, Non-Skid
1426399	Glide (Only), Standard
1426299	Glide (Only), Non-Skid

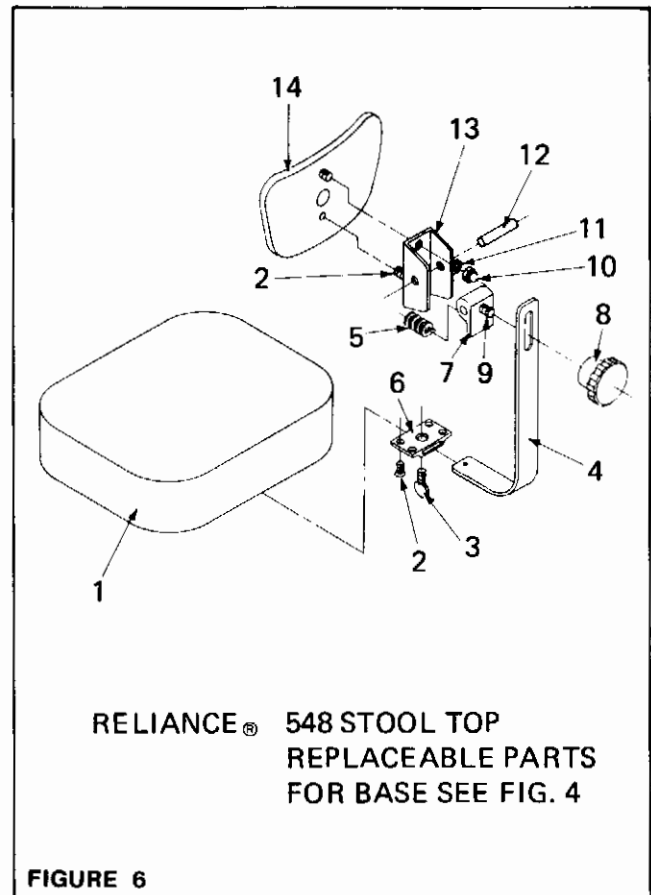
ITEM	PART NO.	DESCRIPTION
1	1381273	UPH. Seat - Standard Foam *
	1381373	UPH. Seat - Sensa Foam *
2	0717799	Mach. Screw 10-24 x 1
		Flat Head
3	0781680	Thumb Screw
4	0313380	Back Support
5	0783899	Spring
6	1288799	Back Plate
7	0097043	Back Rest Tilt Block
8	0505899	Hand Wheel
9	0725199	3/8-16 x 1 Lg. Hex
		Socket Set Screw
10	0703899	1/4-20 Acorn Nut
11	0728299	1/4 Split Lock Washers
12	0778999	Pin
13	0452343	Posture Back Bracket - STD
	0452380	Posture Back Bracket-Cond.
14	0992073	UPH. Back

\* WHEN ORDERING PLEASE SPECIFY UPHOLSTERY COLOR OR CONDUCTIVE.



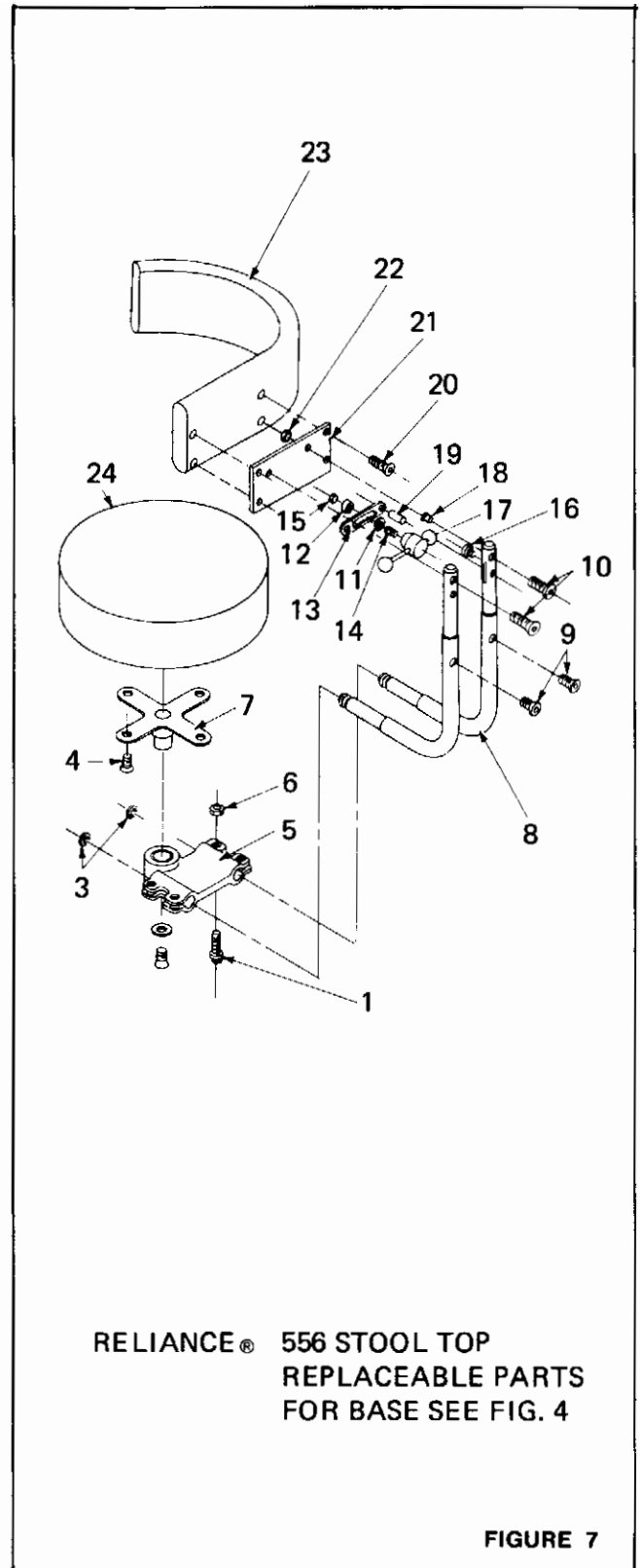
ITEM	PART NO.	DESCRIPTION
1	1381473	UPH. Seat-Standard Foam *
	1381573	UPH. Seat - Sensa Foam *
2	0717799	Mach. Screw 10-24 x 1 Flat Head
3	0781680	Thumb Screw
4	0313380	Back Support
5	0783899	Spring
6	1288799	Back Plate
7	0097043	Back Rest Tilt Block
8	0505899	Hand Wheel
9	0725199	3/8-16 x 1 lg. Hex Socket Set Screw
10	0703899	1/4-20 Acron Nut
11	0728299	1/4 Split Lock Washer
12	0778999	Pin
13	0452343	Posture Back Bracket-STD.
	0452380	Posture Back Bracket-Cond.
14	0992073	UPH. Back *

\* WHEN ORDERING PLEASE SPECIFY UPHOLSTERY COLOR OR CONDUCTIVE.



ITEM	PART NO.	DESCRIPTION
1	0788699	1/4-20 x 1 Socket Head Cap Screw
3	0732199	Retaining Ring
4	0717799	10/24 x 1 Flat Head Machine Screw
5	0644192	Back Rest Swivel Ass'y.
6	0527899	1/4-20 Lock Nut
7	0565979	Seat Support Ass'y
8	0502092	Support Tube Ass'y
9	0712180	1/4-28 x 1/2 Socket Head Cap. Scr.
10	0808799	5/16-24 x 1 1/4 S'kt. Hd. Cap Scr.
11	0508699	Fiber Washer
12	0538580	Spacing Collar
13	0535899	Lock Link
14	0725299	3/8-16 x 1 1/4 S'kt. Hd. Set Scr.
15	0772299	3/8-16 Hex Jamb Nut
16	0503899	Stop Button
17	0521492	Lock Handle Ass'y
18	0497899	Bushing
19	0761799	Rollpin 3/16 x 1/2
20	0789299	1/4-20 x 1 1/2 Mach. Scr.
21	0502280	Arm Rest Plate
22	0527799	5/16-24 Locknut
23	1403873	UPH. Arm Rest Ass'y-R.H.* (Shown)
	1403973	UPH. Arm Rest Ass'y - L.H. *
24	1381273	UPH. Seat - Standard Foam *
	1381373	UPH. Seat - Sensa Foam *

\* WHEN ORDERING PLEASE SPECIFY UPHOLSTERY COLOR OR CONDUCTIVE.



## LIMITED WARRANTY

The Reliance® Product must be used only for the purposes and in the manner described in the literature distributed with the product. The products are warranted against defective materials and workmanship for the period set forth in the warranty provided with each product. Products or parts thereof will be repaired or replaced as required at Reliance® Medical Products, Inc. Such repair or replacement shall be the sole remedy under this warranty. This warranty extends only to the original purchaser from an authorized Reliance® dealer and is subject to the following conditions:

1. The warranty card must be completed and returned to Reliance® Medical Products, Inc. within two (2) weeks from the date of installation.
2. Installation and servicing of the products must be performed by trained Reliance® equipment dealer service personnel in accordance with the appropriate instructions manual for the products.
3. The products have not sustained breakage or other type damage due to accident or misuse.
4. This warranty will not apply to Reliance® products which have had the serial number removed, altered or effaced.

**EXCEPT FOR THE EXPRESS WARRANTY SET FORTH ABOVE, RELIANCE® DOES NOT GRANT ANY WARRANTIES, EITHER EXPRESS OR IMPLIED, INCLUDING IMPLIED WARRANTIES OF MERCHANTABILITY OR FITNESS FOR A PARTICULAR USE.**

Reliance® Medical Products neither assumes nor authorizes any person to assume for it, any other liability in connection with the sale and use of its products.

**REMEDIES ARE LIMITED EXCLUSIVELY TO REPAIR OR REPLACEMENT OF PARTS. RELIANCE® MEDICAL PRODUCTS, INC. EXPRESSLY DISCLAIMS LIABILITY FOR INCIDENTAL OR CONSEQUENTIAL DAMAGE RESULTING FROM THE USE OF THE EQUIPMENT.**

Claims covered by this warranty will be honored when presented within one (1) month from discovery of a defect.



**Reliance®**  
MEDICAL PRODUCTS, INC.

A HAAG-STREIT COMPANY